

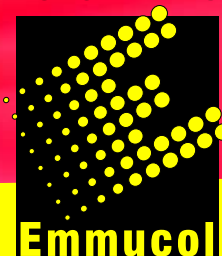
CATALOGO DE ACCESORIOS MIDWEST CONTROL



HIGH QUALITY PRODUCTS



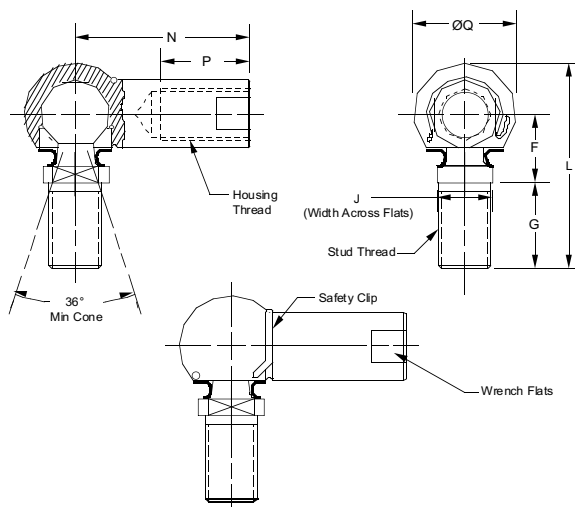
AUTOPARTES



www.pointerautoparts.com
E-mail: ventascol@emmuco.com

Bogota, Colombia
Calle 137A No 45A-10 Local 10
Tel: 6262171 / 81

Internal & External Retaining Clip
Steel Construction, Plated Zinc Clear
DIN 71802

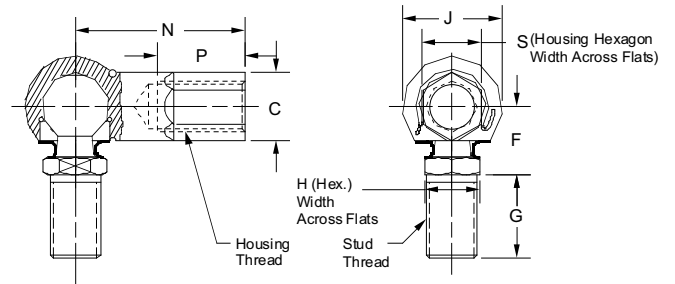


Part Number	Housing Thread	Stud Thread	F	G	J	L	N	P	Q
DMCS-4	M4 x 0.70 RH	M4 x 0.70 RH	8.5	8.5	6	22.30	22	10.2	10.6
DMCSL-4	M4 x 0.70 LH	M4 x 0.70 RH	8.5	8.5	6	22.30	22	10.2	10.6
DMCS-5	M5 x 0.80 RH	M5 x 0.80 RH	9	10.2	7	22.30	22	10.2	12.8
DMCSL-5	M5 x 0.80 LH	M5 x 0.80 RH	9	10.2	7	25.60	22	10.2	12.8
DMCS-6	M6 x 1.00 RH	M6 x 1.00 RH	11	12.5	8	26.25	25	11.5	14.8
DMCSL-6	M6 x 1.00 LH	M6 x 1.00 RH	11	12.5	8	30.90	25	11.5	14.8
DMCS-8	M8 x 1.25 RH	M8 x 1.25 RH	13	16.5	11	39.20	30	14.0	19.3
DMCS-8-6	M6 x 1.00 RH	M8 x 1.25 RH	13	16.5	11	39.20	30	14.0	19.3
DMCSL-8	M8 x 1.25 LH	M8 x 1.25 RH	13	16.5	11	39.20	30	14.0	19.3
DMCS-10	M10 x 1.50 RH	M10 x 1.50 RH	16	20.0	13	40.75	35	15.5	24.0
DMCSL-10	M10 x 1.50 LH	M10 x 1.50 RH	16	20.0	13	48.00	35	15.5	24.0
DMCS-12	M12 x 1.75 RH	M12 x 1.75 RH	16	20.0	13	48.00	35	15.5	24.0
DMCSL-12	M12 x 1.75 LH	M12 x 1.75 RH	16	20.0	13	48.00	35	15.5	24.0

External Retaining Clip
Hex Shaped Barrel
DIN 71802



Left Hand Threads, add "L" as in DMHL-5

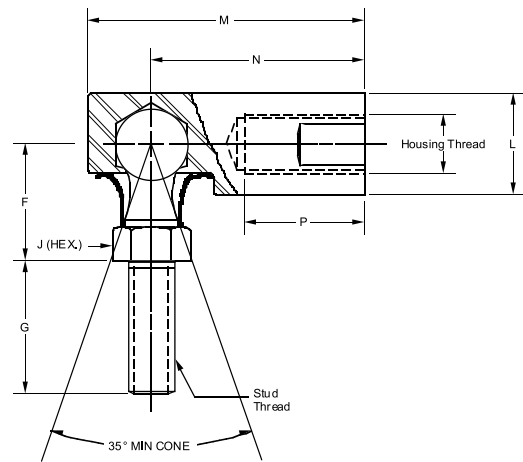


Part Number		Thread	C	F	G	H	J	N	P	S
Plated Steel	Stainless Steel									
DMH-5	DMHSS-5	M5 x 0.80	8	9	10.2	8	12.8	22	10.2	7
DMH-6	DMHSS-6	M6 x 1.00	10	11	12.5	10	14.8	25	11.5	9
DMH-8	DMHSS-8	M8 x 1.25	13	13	16.5	13	19.3	30	14.0	11
DMH-10	DMHSS-10	M10 x 1.50	16	16	20.0	16	24.0	35	15.5	13
DMH-12	DMHSS-12	M12 x 1.75	16	16	20.0	16	24.0	35	15.5	13

Steel Construction
Zinc Plated



"S" indicates boot
"L" indicates Left Hand

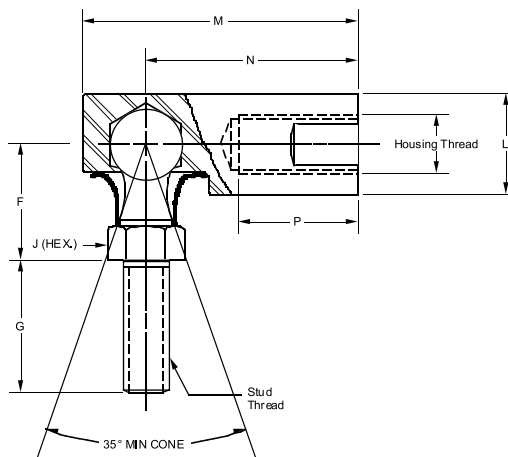


Part Number	Housing Threads	Stud Thds	Plating Y = Yellow C = Clear	F	G	J	L	M	N	P
ES187	10-32	10-32	Y	0.438	0.438	0.313	0.375	1.063	0.875	0.438
ES250-2	10-32	1/4-28	Y	0.469	1.000	0.375	0.438	1.219	0.969	0.500
ES250	1/4-28	1/4-28	C & Y	0.469	0.563	0.375	0.438	1.219	0.969	0.500
ES250C	1/4-20	1/4-20	C & Y	0.469	0.563	0.375	0.438	1.219	0.969	0.500
ES250-1	1/4-28	1/4-28	Y	0.469	1.000	0.375	0.438	1.219	0.969	0.500
ES312	5/16-24	5/16-24	C & Y	0.531	0.688	0.438	0.500	1.406	1.125	0.563
ES375C	3/8-16	3/8-16	Y	0.688	0.875	0.500	0.625	1.688	1.375	0.750
ES375	3/8-24	3/8-24	C & Y	0.688	0.875	0.500	0.625	1.688	1.375	0.750
ES375-1	3/8-24	3/8-24	Y	0.688	0.625	0.500	0.625	1.688	1.375	0.750
ES375-1-438	7/16-20	3/8-24	Y	0.688	0.625	0.500	0.625	1.688	1.375	0.750
ES438	7/16-20	7/16-20	Y	0.875	1.125	0.625	0.750	2.375	1.938	1.000
ES500	1/2-20	1/2-20	Y	0.875	1.125	0.625	0.750	2.375	1.938	1.000
ES500-1	1/2-20	1/2-20	Y	0.875	0.560	0.625	0.750	2.375	1.938	1.000
ES500-2	1/2-20	1/2-20	Y	0.720	1.030	0.625	0.750	2.375	1.938	1.000
ES625	5/8-18	5/8-18	Y	1.000	1.125	0.750	0.875	2.578	2.063	1.000

ESM: Steel, Plated Zinc Yellow
ESMA: Aluminum Housing & Stud



“S” indicates boot
“L” indicates Left Hand

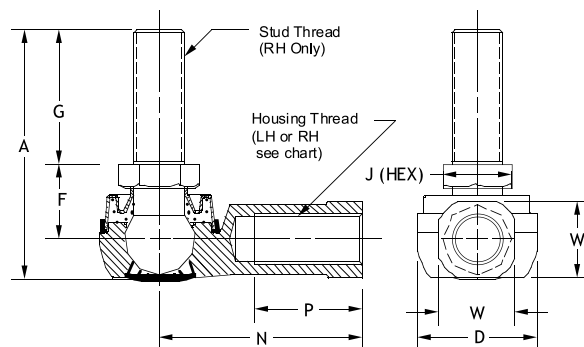


Part Number		Housing Thread	Stud Thread (RH)	F	G	J	L	M	N	P
Plated Steel	Aluminum									
ESM-6	ESMA-6	M6 X 1.00 RH	M6 x 1.00	11.9	14.3	9.5	11	31	24.6	12
ESML-6	-	M6 x 1.00 LH	M6 x 1.00	11.9	14.3	9.5	11	31	24.6	12
ESM-6-8	-	M6 x 1.00 RH	M8 x 1.25	11.9	11.7	9.5	11	26	20.1	11
ESM-8	ESMA-8	M8 x 1.25 RH	M8 x 1.25	13.5	17.5	11.1	13	36	28.6	14
ESML-8	-	M8 x 1.25 LH	M8 x 1.25	13.5	17.5	11.1	13	36	28.6	14
ESM-8-10-X	-	M8 x 1.25 RH	M10 x 1.50	17.5	22.9	17.0	16	59	50.0	25
ESM-8-A12	-	M8 x 1.25 RH	M10 x 1.50	17.5	12.0	13.0	16	46	35.0	19
ESM-8-A22	-	M8 x 1.25 RH	M10 x 1.50	17.5	22.0	13.0	16	46	35.0	19
ESM-10	ESMA-10	M10 x 1.50 RH	M10 x 1.50	17.5	22.2	12.7	16	43	34.9	19
ESML-10	-	M10 x 1.50 LH	M10 x 1.50	17.5	22.2	12.7	16	43	34.9	19
ESM-12	ESMA-12	M12 x 1.75 RH	M12 x 1.75	22.2	28.6	15.9	19	60	49.2	25
ESML-12	-	M12 x 1.75 LH	M12 x 1.75	22.2	28.6	15.9	19	60	49.2	25
ESM-12-10	-	M12 x 1.75 RH	M10 x 1.50	22.2	14.2	15.9	19	60	49.2	25

Zinc Alloy Housing, Plated Steel Stud
Neoprene Rubber Boot



Bearing Cavity Filled with Lubricant



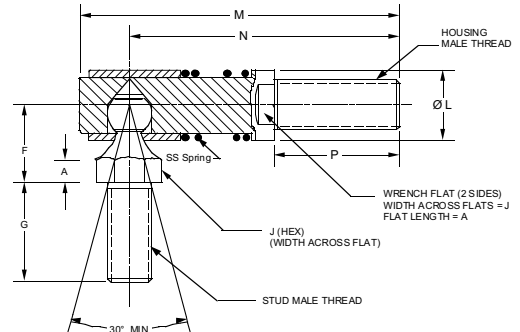
Left Hand Threads Also Available

Part Number	Housing Thds	Stud Thrds	A	D	F	G	J	N	P	W
JSB187	10-32	10-32	1.110	0.57	0.438	0.438	0.313	1.06	0.567	0.39
JSB250	1/4-28	1/4-28	1.292	0.63	0.469	0.563	0.375	1.18	0.630	0.43
JSB312	5/16-24	5/16-24	1.518	0.75	0.531	0.688	0.438	1.42	0.748	0.55
JSB375	3/8-24	3/8-24	1.929	0.98	0.688	0.875	0.500	1.69	0.906	0.67
JSB500	1/2-20	1/2-20	2.421	1.14	0.875	1.125	0.625	1.97	1.024	0.75
JSB625	5/8-18	5/8-18	2.676	1.50	1.000	1.125	0.750	2.52	1.339	0.95
METRIC DIMENSIONS										
JSB-M6	M6 x 1.00	M6 x 1.00	32.6	16	11	11	10	30	16	11
JSB-M8	M8 x 1.25	M8 x 1.25	37.5	19	14	12	12	36	19	14
JSB-M10F	M10 x 1.25	M10 x 1.25	46.3	25	17	15	14	43	23	17
JSB-M10	M10 x 1.50	M10 x 1.50	52.3	25	17	21	14	43	23	17
JSB-M12F	M12 x 1.25	M12 x 1.25	52.7	29	19	17	17	50	26	19
JSB-M12	M12 x 1.75	M12 x 1.75	59.7	29	19	24	17	50	26	19
JSB-M16F	M16 x 1.50	M16 x 1.50	74	38	23.5	23	22	64	34	24
JSB-M16	M16 x 2.00	M16 x 2.00	80	38	23.5	29	22	64	34	24

Bright Chrome Plated
Steel Construction



Housing is Spring Loaded for Quick
Removal of Ball Stud



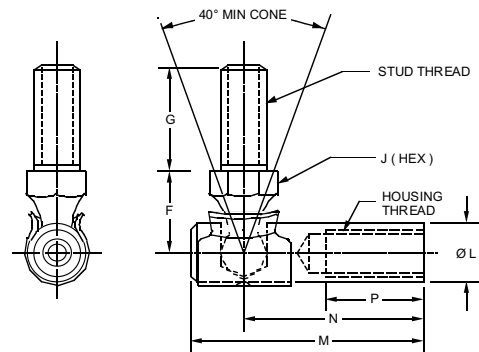
Part#	Thread	A	F	G	J	L	M	N	P
LDS187	10-32	0.125	0.438	0.438	0.313	0.438	1.375	1.188	0.438
LDS250	1/4-28	0.125	0.469	0.563	0.375	0.563	1.848	1.567	0.563
LDS312	5/16-24	0.156	0.551	0.688	0.437	0.625	2.197	1.869	0.688
LDS375	3/8-24	0.187	0.688	0.875	0.500	0.750	2.723	2.348	0.875
LDS500	1/2-20	0.250	0.875	1.125	0.625	1.000	3.305	2.805	1.125

MDB (LIGHT DUTY, QUICK DISCONNECT)

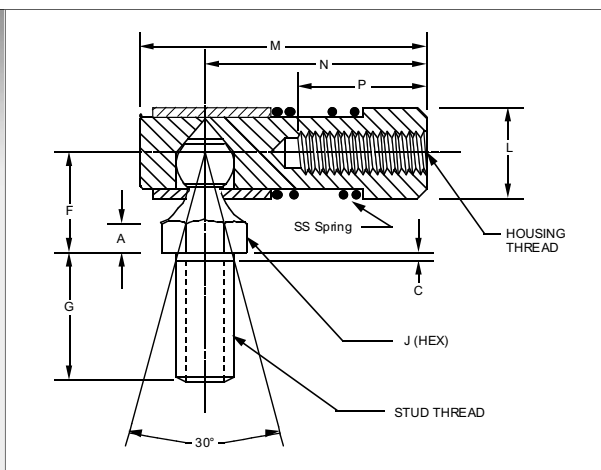
Steel Construction, Plated Zinc Yellow
Metal Clip Retains Ball Stud



Stud can be removed with 10 to 20 lbs of force



Part Number	Housing Thread	Stud Thread	F	G	J	L	M	N	P
MDB-3-3	10-32	10-32	0.438	0.438	0.3125	0.3125	1.156	0.875	0.484
MDB-3-4	10-32	1/4-28	0.438	0.563	0.3125	0.3125	1.156	0.875	0.484
MDB-4-3	1/4-28	10-32	0.438	0.438	0.3125	0.3125	1.250	0.969	0.531
MDB-4-4	1/4-28	1/4-28	0.438	0.563	0.3125	0.3125	1.250	0.969	0.531
MDB-4L-4L	1/4-28	1/4-28	0.562	0.500	0.3125	0.3400	1.750	1.500	1.120



Part Number	Housing Thread	Stud Thread	A	F	G	J	L	M	N	P
Qi187	10-32	10-32	0.125	0.438	0.438	0.312	0.438	1.094	0.906	0.438
Qi250-3-4	10-32	1/4-28	0.125	0.469	0.562	0.375	0.562	1.250	0.969	0.531
Qi250-3-5	10-32	5/16-24	0.156	0.531	0.687	0.437	0.625	1.453	1.125	0.594
Qi250	1/4-28	1/4-28	0.125	0.469	0.562	0.375	0.562	1.250	0.969	0.531
Qi250-A	1/4-28	1/4-28	0.125	0.469	0.875	0.375	0.562	1.250	0.969	0.531
Qi250-4-5	1/4-28	5/16-24	0.125	0.469	0.562	0.375	0.562	1.250	0.969	0.531
Qi312	5/16-24	5/16-24	0.156	0.531	0.687	0.437	0.625	1.453	1.125	0.594
Qi375	3/8-24	3/8-24	0.187	0.687	0.875	0.500	0.750	1.750	1.375	0.812
Qi500	1/2-20	1/2-20	0.250	0.875	1.125	0.625	1.000	2.530	2.030	1.000

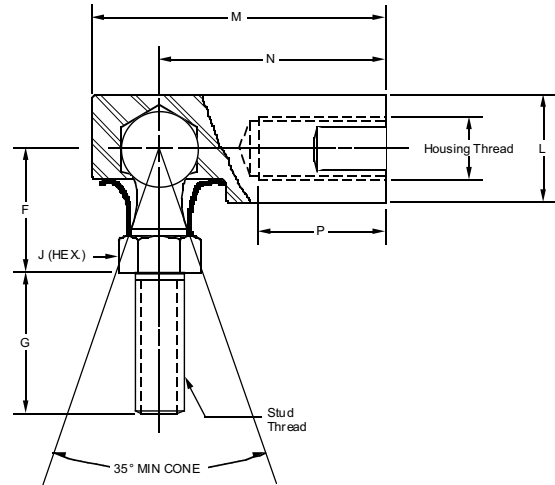
METRIC DIMENSIONS

Part#	Housing	Stud	A	F	G	J	L	M	N	P
QM5	M5 x 0.80	M5 x 0.80	3.2	11.1	11.1	7.9	11.1	27.8	23.0	11.1
QM6	M6 x 1.00	M6 x 1.00	3.2	11.9	14.3	9.5	14.3	31.8	24.6	13.5
QM8	M8 x 1.25	M8 x 1.25	4.0	13.5	17.5	11.1	15.9	39.6	28.6	15.1
QM10	M10 x 1.50	M10 x 1.50	4.7	17.4	22.2	12.7	19.1	44.5	34.9	20.6
QM12	M12 x 1.75	M12 x 1.75	6.4	22.2	28.6	15.9	25.4	64.3	51.6	25.4

Stainless Steel Construction
Rubber Boot



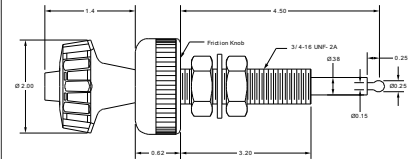
For Left Hand Threads, add "L" as in SSML-8.



Part Number	Housing Thread	Stud Thread	F	G	J	L	M	N	P
SSE187	10-32	10-32	0.438	0.438	0.313	0.375	1.063	0.875	0.438
SSE250	1/4-28	1/4-28	0.469	0.563	0.375	0.438	1.219	0.969	0.500
SSE312	5/16-24	5/16-24	0.531	0.688	0.438	0.500	1.406	1.125	0.563
SSE375	3/8-24	3/8-24	0.688	0.875	0.500	0.625	1.688	1.375	0.750
SSE500	1/2-20	1/2-20	0.875	1.125	0.625	0.750	2.375	1.938	1.000
METRIC DIMENSIONS									
SSM-6	M6 x 1.00	M6 x 1.00	11.91	14.30	9.53	11.13	30.96	24.61	12.7
SSM-8	M8 x 1.25	M8 x 1.25	13.49	17.48	11.13	12.70	35.71	28.58	14.3
SSM-10	M10 x 1.50	M10 x 1.50	17.48	22.23	12.70	15.88	42.88	34.93	19.1
SSM-12	M12 x 1.75	M12 x 1.75	22.23	28.58	15.88	19.05	60.33	49.23	25.4

Vernier Head Assembly

Part Number: VHC-B

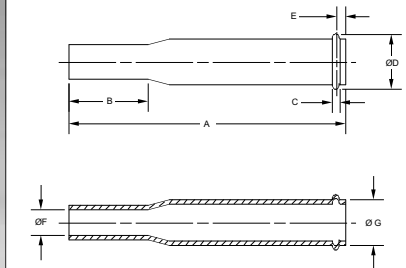


Vernier Conduit Adaptors

Vernier Conduit Adaptor 30 Series

Steel Tubing

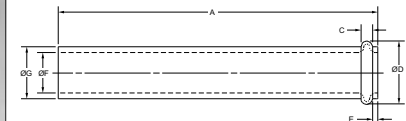
Bright Chrome Plated



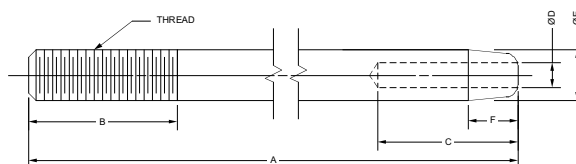
Vernier Conduit Adaptor 40 Series

Steel Tubing

Bright Chrome Plated



Part Number	Series	A	C	D	E	F	G	Style
VCA-30	30	3.44	0.100	0.683	0.060	0.3280	0.562	Tapered
VCA-40	40	3.46	0.125	0.683	0.060	0.4375	0.562	Straight

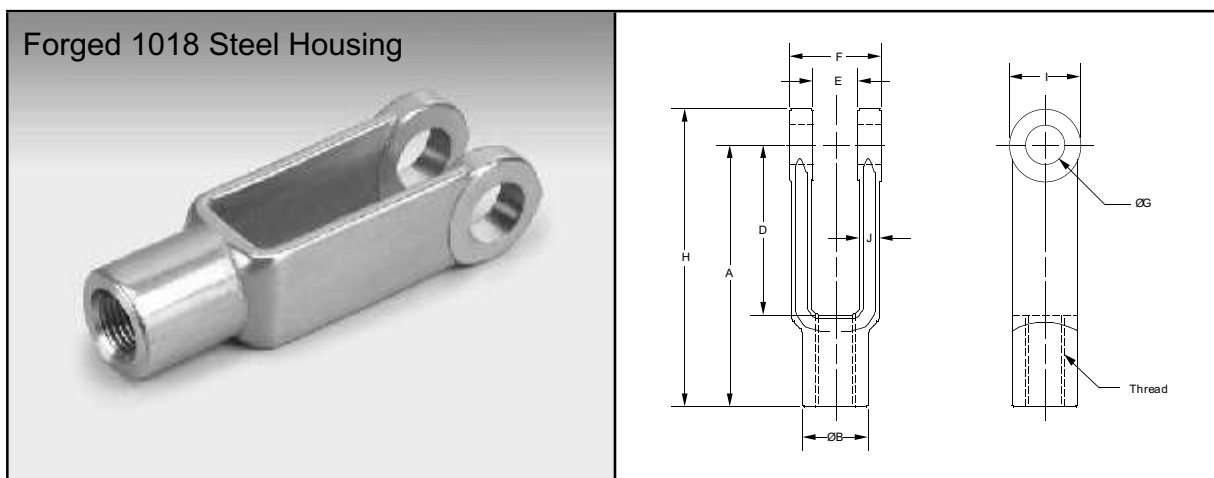


Part#	Thread	Travel	A ±.03	B Min Full	C ±.01	D ±.004	E ±.002	F Ref
CER-30-1	10-32	1"	2.816	0.875	0.50	0.092	0.1875	0.19
CER-30-2	10-32	2"	3.816	0.875	0.50	0.092	0.1875	0.19
CER-30-3	10-32	3"	4.816	0.875	0.50	0.092	0.1875	0.19
CER-30-4	10-32	4"	5.816	0.875	0.50	0.092	0.1875	0.19
CER-30-5	10-32	5"	6.816	0.875	0.50	0.092	0.1875	0.19
CER-30-6	10-32	6"	7.816	0.875	0.50	0.092	0.1875	0.19
CER-40-1	1/4-28	1"	3.062	1.000	0.91	0.140	0.2500	0.19
CER-40-2	1/4-28	2"	4.062	1.000	0.91	0.140	0.2500	0.19
CER-40-3	1/4-28	3"	5.062	1.000	0.91	0.140	0.2500	0.19
CER-40-4	1/4-28	4"	6.062	1.000	0.91	0.140	0.2500	0.19
CER-40-5	1/4-28	5"	7.062	1.000	0.91	0.140	0.2500	0.19
CER-40-6	1/4-28	6"	8.062	1.000	0.91	0.140	0.2500	0.19
CER-60-1	5/16-24	1"	3.440	1.170	1.02	0.193	0.3125	0.19
CER-60-2	5/16-24	2"	4.440	1.170	1.02	0.193	0.3125	0.19
CER-60-3	5/16-24	3"	5.440	1.170	1.02	0.193	0.3125	0.19
CER-60-4	5/16-24	4"	6.440	1.170	1.02	0.193	0.3125	0.19
CER-60-5	5/16-24	5"	7.440	1.170	1.02	0.193	0.3125	0.19
CER-60-6	5/16-24	6"	8.440	1.170	1.02	0.193	0.3125	0.19
CER-80-1	3/8-24	1"	3.687	1.328	1.156	0.240	0.3750	0.19
CER-80-2	3/8-24	2"	4.687	1.328	1.156	0.240	0.3750	0.19
CER-80-3	3/8-24	3"	5.687	1.328	1.156	0.240	0.3750	0.19



CATALOGO DE ACCESORIOS MIDWEST CONTROL

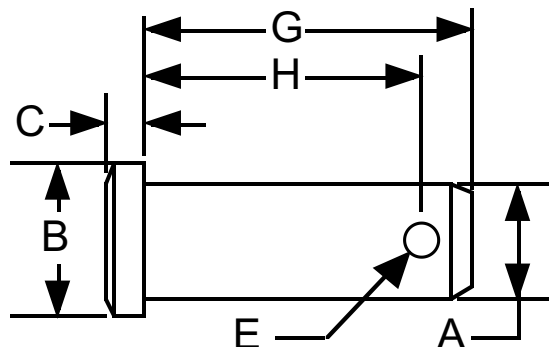
CER-80-4	3/8-24	4"	6.687	1.328	1.156	0.240	0.3750	0.19
CER-80-5	3/8-24	5"	7.687	1.328	1.156	0.240	0.3750	0.19
CER-80-6	3/8-24	6"	8.687	1.328	1.156	0.240	0.3750	0.19
METRIC DIMENSIONS								
Part#	Thread	Travel	A	B	C	D	E	F
CER-M5-25	M5 x 0.80	25	71.53	22.22	12.70	2.34	4.76	4.83
CER-M5-51	M5 x 0.80	51	96.93	22.22	12.70	2.34	4.76	4.83
CER-M5-76	M5 x 0.80	76	122.33	22.22	12.70	2.34	4.76	4.83
CER-M5-102	M5 x 0.80	102	147.73	22.22	12.70	2.34	4.76	4.83
CER-M5-127	M5 x 0.80	127	173.13	22.22	12.70	2.34	4.76	4.83
CER-M5-152	M5 x 0.80	152	198.53	22.22	12.70	2.34	4.76	4.83
CER-M6-25	M6 x 1.00	25	77.77	25.40	23.11	3.56	6.35	4.83
CER-M6-51	M6 x 1.00	51	103.17	25.40	23.11	3.56	6.35	4.83
CER-M6-76	M6 x 1.00	76	128.57	25.40	23.11	3.56	6.35	4.83
CER-M6-102	M6 x 1.00	102	153.97	25.40	23.11	3.56	6.35	4.83
CER-M6-127	M6 x 1.00	127	179.37	25.40	23.11	3.56	6.35	4.83
CER-M6-152	M6 x 1.00	152	204.77	25.40	23.11	3.56	6.35	4.83
CER-M8-25	M8 x 1.25	25	87.38	29.72	25.91	4.90	7.94	4.83
CER-M8-51	M8 x 1.25	51	112.78	29.72	25.91	4.90	7.94	4.83
CER-M8-76	M8 x 1.25	76	138.18	29.72	25.91	4.90	7.94	4.83
CER-M8-102	M8 x 1.25	102	163.58	29.72	25.91	4.90	7.94	4.83
CER-M8-127	M8 x 1.25	127	188.98	29.72	25.91	4.90	7.94	4.83
CER-M8-152	M8 x 1.25	152	214.38	29.72	25.91	4.90	7.94	4.83
CER-M10-25	M10 x 1.50	25	93.65	33.73	29.36	6.10	9.53	4.83
CER-M10-51	M10 x 1.50	51	119.05	33.73	29.36	6.10	9.53	4.83
CER-M10-76	M10 x 1.50	76	144.45	33.73	29.36	6.10	9.53	4.83
CER-M10-102	M10 x 1.50	102	169.85	33.73	29.36	6.10	9.53	4.83
CER-M10-127	M10 x 1.50	127	195.25	33.73	29.36	6.10	9.53	4.83
CER-M10-152	M10 x 1.50	152	220.65	33.73	29.36	6.10	9.53	4.83



☛ = standard/common item.

This table is sorted by the following order: 1st: Threads, 2nd: G, 3rd: A

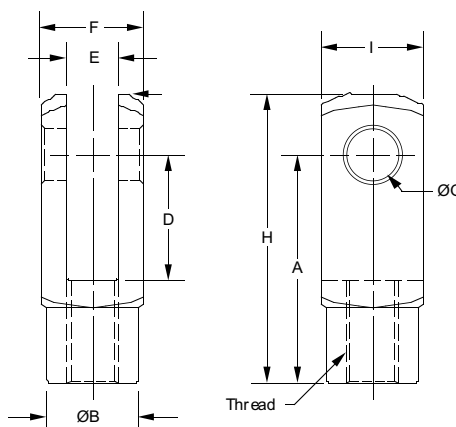
Un-plated (Plain)	Plated Zinc Yellow	Plated Zinc Clear	Threads	A	B	D	E	F	G	H	I	J
2800	280077 ☛	280080	10-32 RH	1.563	.313	1.000	.188	.438	.188	1.77	.38	.09
-	28031077	-	10-32 RH	2.500	.625	1.625	.438	.875	.188	2.83	.69	.19
-	28012277	-	10-32 RH	2.000	.438	1.250	.281	.625	.197	2.21	.50	.14
280117	28011777 ☛	28011780	10-32 RH	2.000	.438	1.250	.281	.625	.250	2.21	.50	.14
-	28012177	-	10-32 RH	2.000	.438	1.250	.281	.625	.261	2.21	.50	.14
280205	28020577	-	10-32 RH	2.250	.500	1.438	.344	.750	.313	2.56	.59	.17
-	28013077	-	M5x0.80 RH	2.000	.438	1.250	.281	.625	.250	2.21	.50	.14
-	-	28031380	M6x1.00 RH	2.500	.625	1.625	.438	.875	.244	2.83	.69	.19
280119	28011977	28011980	M6x1.00 RH	2.000	.438	1.250	.281	.625	.250	2.21	.50	.14
28030102	2803010277	-	M6x1.00 RH	1.375	.625	0.844	.438	.875	.414	1.71	.69	.19
280107	28010777	28010780	1/4-20 RH	2.000	.438	1.250	.281	.625	.250	2.21	.50	.14
-	28033077	-	1/4-28 RH	2.500	.625	1.625	.438	.875	.188	2.83	.69	.19
280101	28010177	-	1/4-28 RH	2.000	.438	1.250	.281	.625	.201	2.21	.50	.14
2801	280177 ☛	280180	1/4-28 RH	2.000	.438	1.250	.281	.625	.250	2.21	.50	.14
-	28010877	-	1/4-28 RH	2.000	.438	1.250	.281	.625	.256	2.21	.50	.14
280103	28010377	-	1/4-28 RH	2.000	.438	1.250	.281	.625	.275	2.21	.50	.14



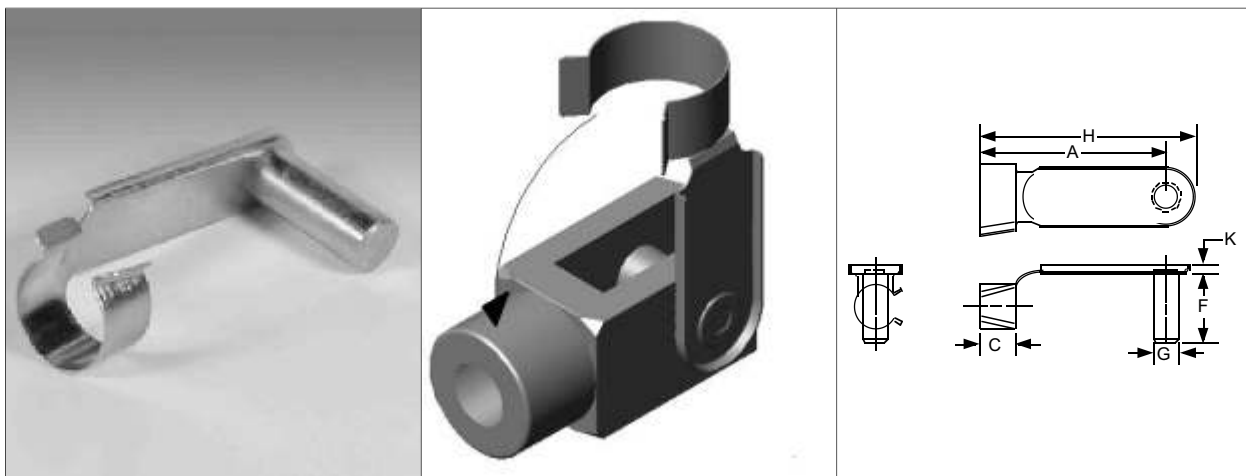
Part Number		A	B	C	E	G	H
Steel Plated Zinc Yellow	Stainless Steel						
CP2800	CP2800-SS	0.186	0.320	0.070	0.088	0.580	0.504
CP2801	CP2801-SS	0.248	0.380	0.100	0.088	0.770	0.692
CP2802	CP2802-SS	0.311	0.440	0.100	0.119	0.940	0.832
CP2803	CP2803-SS	0.373	0.510	0.130	0.119	1.060	0.958
CP2806	CP2806-SS	0.496	0.630	0.160	0.151	1.395	1.223
CP2807	CP2807-SS	0.621	0.820	0.210	0.151	1.610	1.473
METRIC DIMENSIONS							
CPM4	CPM4-SS	4.0	6.0	1.0	1.0	12.0	10.0
CPM5	CPM5-SS	5.0	8.0	1.5	1.2	15.0	12.3
CPM6	CPM6-SS	6.0	9.0	1.5	1.6	18.0	15.3
CPM8	CPM8-SS	8.0	12.0	2.0	2.0	23.0	19.5
CPM10	CPM10-SS	10.0	14.0	2.0	3.2	29.0	24.5
CPM12	CPM12-SS	12.0	17.0	3.0	4.0	35.0	29.5
CPM16	CPM16-SS	16.0	20.0	3.5	4.0	45.0	38.2
CPM20	CPM20-SS	20.0	28.0	4.0	5.0	53.0	47.0
CPM30	CPM30-SS	30.0	36.0	5.5	6.3	67.0	59.0
CPM35	CPM35-SS	35.0	45.0	7.0	8.0	87.0	76.5

Part Number	Threads	Plating	A ±2	B ±2	D ±2	E +0.5 /-0	F ±0.2 /-0.8	G -0.0	H ±2	I ±0.84
MTC-6L-LH	M6 x 1.00 RH	Yellow	36	10	24	6	12	6 ^{+0.5}	43	12
MTC-6L-M5	M5 x 0.80 RH	Yellow	36	10	24	6	12	6 ^{+0.5}	43	12
MTC-6L-LH-M5	M5 x 0.80 LH	Yellow	36	10	24	6	12	6 ^{+0.5}	43	12
MTC-8S	M8 x 1.25 RH	Yellow	32	14	16	8	16	8 ^{+0.5}	42	16
MTC-8S-ZC	M8 x 1.25 RH	Silver	32	14	16	8	16	8 ^{+0.5}	42	16
MTC-8S-LH	M8 x 1.25 LH	Yellow	32	14	16	8	16	8 ^{+0.5}	42	16
MTC-8S-M5	M5 x 0.80 RH	Yellow	32	14	16	8	16	8 ^{+0.5}	42	16
MTC-8S-M6	M6 x 1.00 RH	Yellow	32	14	16	8	16	8 ^{+0.6}	42	16
MTC-8S-M10-F-ZC	M10 x 1.25 RH ➔	Silver	32	14	16	8	16	8 ^{+0.6}	42	16
MTC-8L	M8 x 1.25 RH	Yellow	48	14	32	8	16	8 ^{+0.6}	58	16
MTC-8L-ZC	M8 x 1.25 RH	Silver	48	14	32	8	16	8 ^{+0.6}	58	16
MTC-8L-LH	M8 x 1.25 LH	Yellow	48	14	32	8	16	8 ^{+0.6}	58	16
MTC-8L-M5	M5 x 0.80 RH	Yellow	48	14	32	8	16	8 ^{+0.6}	58	16
MTC-8L-M6	M6 x 1.00 RH	Yellow	48	14	32	8	16	8 ^{+0.6}	58	16
MTC-10S-F-ZC	M10 x 1.25 RH ➔	Silver	40	18	20	10	20	10 ^{+0.7}	52	20
MTC-10S	M10 x 1.50 RH	Yellow	40	18	20	10	20	10 ^{+0.7}	52	20
MTC-10S-M8	M8 x 1.25 RH	Yellow	40	18	20	10	20	10 ^{+0.7}	52	20
MTC-10S-M12-F-ZC	M12 x 1.25 RH ➔	Silver	40	18	20	10	20	10 ^{+0.7}	52	20
MTC-10L	M10 x 1.50 RH	Yellow	60	18	40	10	20	10 ^{+0.7}	72	20
MTC-10L-LH	M10 x 1.50 LH	Yellow	60	18	40	10	20	10 ^{+0.7}	72	20
MTC-10L-M8	M8 x 1.25 RH	Yellow	60	18	40	10	20	10 ^{+0.7}	72	20
MTC-12S-F-ZC	M12 x 1.25 RH ➔	Silver	48	20	24	12	24	12 ^{+0.7}	62	24
MTC-12S-F1	M12 x 1.50 RH ➔	Yellow	48	20	24	12	24	12 ^{+0.7}	62	24
MTC-12S-F-ZC	M12 x 1.50 RH ➔	Silver	48	20	24	12	24	12 ^{+0.7}	62	24
MTC-12S	M12 x 1.75 RH	Yellow	48	20	24	12	24	12 ^{+0.7}	62	24

Steel Construction, Zinc Plated
DIN 71752



Part Number	Threads	Plating	A	B	D	E	F	G	H	I
			±2	±2	±2	+0.5 /-0	±0.2 /-0.8	-0.0	±2	±0.84
MTC-4S	M4 x 0.70 RH	Yellow	16	8	8	4	8	4 ^{+0.5}	21	8
MTC-4S-ZC	M4 x 0.70 RH	Silver	16	8	8	4	8	4 ^{+0.5}	21	8
MTC-4L	M4 x 0.70 RH	Yellow	24	8	16	4	8	4 ^{+0.5}	29	8
MTC-4L-ZC	M4 x 0.70 RH	Silver	24	8	16	4	8	4 ^{+0.5}	29	8
MTC-5S	M5 x 0.80 RH	Yellow	20	9	10	5	10	5 ^{+0.5}	26	10
MTC-5S-ZC	M5 x 0.80 RH	Silver	20	9	10	5	10	5 ^{+0.5}	26	10
MTC-5S-M6-ZC	M6 x 1.00 RH	Silver	20	9	10	5	10	5 ^{+0.5}	26	10
MTC-5L	M5 x 0.80 RH	Yellow	30	9	20	5	10	5 ^{+0.5}	36	10
MTC-6S	M6 x 1.00 RH	Yellow	24	10	12	6	12	6 ^{+0.5}	31	12
MTC-6S-ZC	M6 x 1.00 RH	Silver	24	10	12	6	12	6 ^{+0.5}	31	12
MTC-6S-LH	M6 x 1.00 LH	Yellow	24	10	12	6	12	6 ^{+0.5}	31	12
MTC-6S-M5	M5 x 0.80 RH	Yellow	24	10	12	6	12	6 ^{+0.5}	31	12
MTC-6S-LH-M5	M5 x 0.80 LH	Yellow	24	10	12	6	12	6 ^{+0.5}	31	12
MTC-6S-M8-ZC	M8 x 1.25 RH	Silver	24	10	12	6	12	6 ^{+0.5}	31	12
MTC-6L	M6 x 1.00 RH	Yellow	36	10	24	6	12	6 ^{+0.5}	43	12

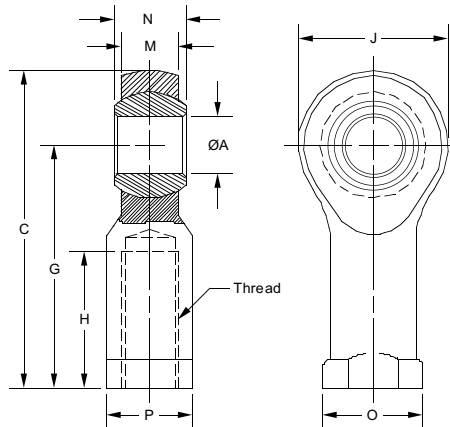


Part Number			Dimensions						
Plated Zinc Yellow	Plated Zinc Silver	Stainless Steel	Size	A	C	F	G	H	K
SP4MS	SP4MS-ZC	-	4 x 8	15	4.5	9.5	3.93 / 4.00	19.0	1.5
SP5MS	SP5MS-ZC	SP5MS-SS	5 x 10	19	5.5	12	4.93 / 5.00	23.0	1.5
SP5ML	SP5ML-ZC	SP5ML-SS	5 x 20	29	5.5	12	4.93 / 5.00	33.0	1.5
SP6MS	SP6MS-ZC	SP6MS-SS	6 x 12	23	6.5	14	5.93 / 6.00	28.0	2.0
SP6ML	SP6ML-ZC	SP6ML-SS	6 x 24	35	6.5	14	5.93 / 6.00	40.0	2.0
SP8MS	SP8MS-ZC	SP8MS-SS	8 x 16	30	8.0	19	7.91 / 8.00	36.5	2.5
SP8ML	SP8ML-ZC	SP8ML-SS	8 x 32	46	8.0	19	7.91 / 8.00	52.0	2.5
SP10MS	SP10MS-ZC	SP10MS-SS	10 x 20	38	10.0	23	9.91 / 10.00	45.0	3.0
SP10ML	SP10ML-ZC	SP10ML-SS	10 x 40	58	10.0	23	9.91 / 10.00	65.0	3.0
SP12MS	SP12MS-ZC	SP12MS-SS	12 x 24	45	12.0	28	11.89 / 12.00	53.0	3.0
SP12ML	SP12ML-ZC	SP12ML-SS	12 x 48	69	12.0	28	11.89 / 12.00	78.0	3.0
SP16MS	SP16MS-ZC	SP16MS-SS	16 x 32	62	16.0	36	15.89 / 16.00	73.5	3.0
SP16ML	SP16ML-ZC	SP16ML-SS	16 x 64	94	16.0	36	15.89 / 16.00	105.5	3.0
SP20MS	SP20MS-ZC	-	20 x 40	71.5	16.0	45	19.87 / 20.00	87.5	5.0

Steel Bearing Race (2 Piece)



Rod End Studs Available

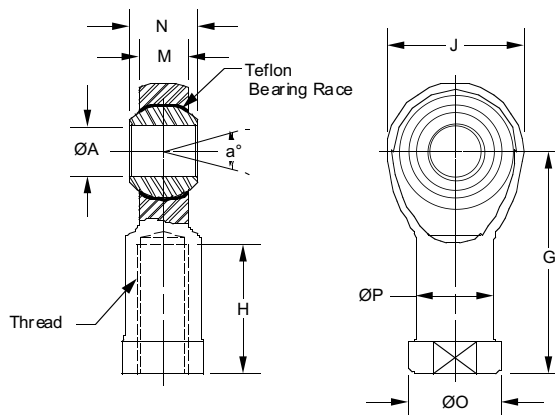


Right Hand Part#	Left Hand Part#	Thread	Plating	A	C	G	H	J	M	N	O	P
ASFM-6	ASFML-6	M6 x 1.00	Yellow	6	43	33.3	19.1	19	7.1	9.5	12	9.5
ASFM-6-1	-	M6 x 1.00	Yellow	6	40	29.0	11.0	22	6.8	9.0	13	10.0
ASFM-8	ASFML-8	M8 x 1.25	Yellow	8	46	34.9	19.1	22	8.7	11.1	13	11.1
ASFM-8-1	-	M8 x 1.25	Yellow	8	48	35.0	15.0	26	9.0	12.0	16	12.5
ASFM-10	ASFML-10	M10 x 1.25	Yellow	10	54	41.3	23.8	28	10.3	12.7	18	14.3
ASFM-10-1	ASFML-10-1	M10 x 1.50	Yellow	10	57	42.0	19.0	30	10.5	10.5	19	15.0
ASFM-12	ASFML-12	M12 x 1.75	Yellow	12	71	54.0	30.2	33	12.7	15.9	22	19.1
ASFM-12F	ASFML-12F	M12 x 1.25	Yellow	12	71	54.0	30.2	33	12.7	15.9	22	19.1
ASFM-12-1	-	M12 x 1.75	Yellow	12	66	49.0	21.0	34	12.0	16.0	22	17.5

Teflon Bearing Rac
DIN Metric Dimensions
Plated Zinc Clear



Add an "L" for Left Hand Threads
For example, DWTF-8

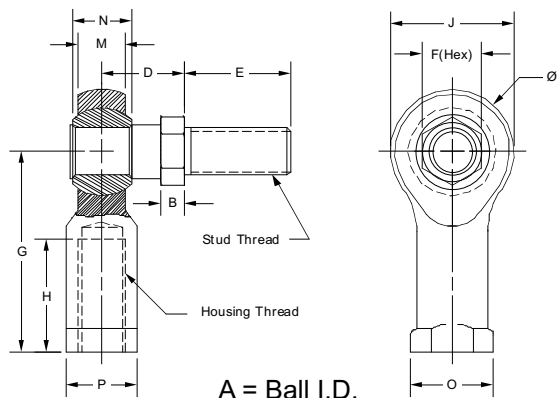


Part#	Thread	A	A°	G	H	J	M	N	O	P
DWTF-5	M5 x 0.80	5	24°	27	10	18.0	6	8	11	9.0
DNTF-6	M6 x 1.00	6	24°	30	12	20.0	4.40	6	13	11.0
DWTF-6	M6 x 1.00	6	24°	30	12	20.0	6.75	9	13	10.0
DNTF-8	M8 x 1.25	8	24°	36	16	24.0	6.00	8	16	14.0
DWTF-8	M8 x 1.25	8	24°	36	16	24.0	9.00	12	16	12.5
DNTF-10	M10 x 1.50	10	24°	43	20	28.0	7.00	9	19	17.0
DNTF-10-8	M10 x 1.50	8	24°	56	35	24.0	6.00	8	16	13.0
DNTF-10-12	M10 x 1.50	12	24°	43	19	29.0	7.00	9	19	15.0
DWTF-10-F	M10 x 1.25	10	24°	43	20	28.0	10.50	14	19	15.0
DWTF-10	M10 x 1.50	10	24°	43	20	28.0	10.50	14	19	15.0
DNTF-12	M12 x 1.75	12	16°	50	22	34.0	8.00	10	22	19.0
DWTF-12-F	M12 x 1.25	12	16°	50	22	34.0	12.00	16	22	17.5
DWTF-12	M12 x 1.75	12	16°	50	22	34.0	12.00	16	22	17.5
DWTF-14-F	M14 x 1.50	14	16°	57	20	36.5	13.50	19	25	20.0
DNTF-16	M16 x 2.00	16	16°	67	33	46.0	11.00	14	30	27.0
DWTF-16-F	M16 x 1.50	16	16°	67	33	46.0	15.00	21	27	22.0
DWTF-16	M16 x 2.00	16	16°	67	33	46.0	15.00	21	27	22.0
DWTF-30-F	M27 x 2.00	30	15°	110	45	69.5	25.00	37	50	40.0

Two Piece Steel Design



For Left Hand Thds, add "L" as in MSFL-4

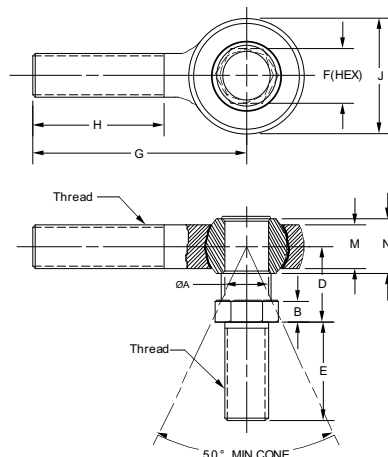


Part Number		Thread	Plating Color y = yellow c = clear	A	B	C	D	E	F	G	H	J	M	N	O	P
No Stud	With Stud															
MSF-2	-	6-32	Y	.125	-	1.41	-	-	-	0.812	.38	.47	.19	.250	.33	.250
MSF-3	MSF-3S	10-32	Y	.190	.16	1.38	.437	.437	.312	1.062	.56	.63	.25	.312	.41	.312
MSF-4-3	-	10-32	Y	.251	-	1.69	-	-	-	1.312	.75	.75	.28	.375	.47	.375
MSF-3-4	-	1/4-28	Y	.190	.16	1.38	.437	.437	.312	1.062	.56	.63	.25	.312	.41	.312
MSF-4	MSF-4S	1/4-28	Y & C	.251	.12	1.69	.469	.562	.375	1.312	.75	.75	.28	.375	.47	.375
MSF-5-4	-	1/4-28	Y	.313	.12	1.81	.531	.687	.437	1.375	.75	.88	.34	.437	.50	.437
MSF-6-4	-	1/4-28	Y	.376	.18	2.13	.644	.906	.500	1.625	.94	1.09	.41	.500	.69	.562
MSF-5	MSF-5S	5/16-24	Y & C	.313	.12	1.81	.531	.687	.437	1.375	.75	.88	.34	.437	.50	.437
MSF-6-5	-	5/16-24	Y	.376	.18	2.13	.644	.906	.500	1.625	.94	1.09	.41	.500	.69	.562
MSF-6	MSF-6S	3/8-24	Y & C	.376	.18	2.13	.644	.906	.500	1.625	.94	1.09	.41	.500	.69	.562
MSF-7	-	7/16-20	Y	.438	.31	2.38	.844	1.062	.625	1.812	1.06	1.13	.48	.562	.75	.625
MSF-8	MSF-8S	1/2-20	Y	.501	.25	2.78	.875	1.125	.625	2.125	1.19	1.31	.50	.625	.88	.750
MSF-10-8	-	1/2-20	Y	.626	.37	3.25	1.00	1.125	.750	2.500	1.50	1.50	.56	.750	1.00	.875
MSF-10	MSF-10S	5/8-18	Y	.626	.37	3.25	1.00	1.125	.750	2.500	1.50	1.50	.56	.750	1.00	.875
MSF-12-10	-	5/8-18	Y	.751	.37	3.75	1.19	1.812	1.00	2.875	1.56	1.75	.69	.875	1.13	1.00
MSF-12	MSF-12S	3/4-16	Y	.751	.37	3.75	1.19	1.812	1.00	2.875	1.56	1.75	.69	.875	1.13	1.00

Two Piece Steel Design



For Left Hand Thds, add "L" as in MSML-4

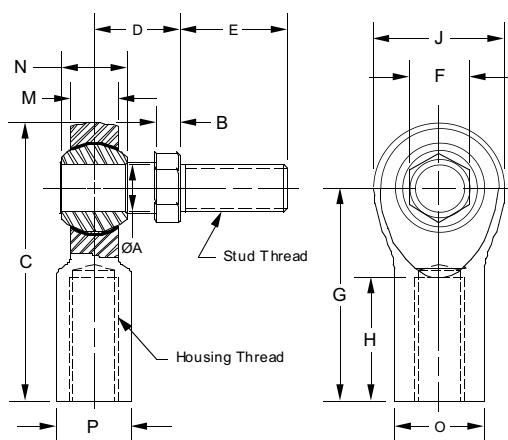


Part Number		Thread	Plating Color y = yellow c = clear	A	B	D	E	F	G	H	J	M	N
No Stud	With Stud												
MSM-2	-	6-32	Y	.126	-	-	-	-	0.937	0.500	0.469	.187	.250
MSM-3	MSM-3S	10-32	Y	.190	.156	0.437	.437	.312	1.250	0.750	.625	.250	.312
MSM-4	MSM-4S	1/4-28	Y & C	.251	.125	0.469	.562	.375	1.562	1.000	.750	.281	.375
MSM-5	MSM-5S	5/16-24	Y & C	.313	.125	0.531	.687	.437	1.875	1.250	.875	.344	.437
MSM-6	MSM-6S	3/8-24	Y & C	.376	.187	0.644	.906	.500	1.938	1.250	1.000	.406	.500
MSM-7	MSM-7S	7/16-20	Y	.438	.312	0.844	1.062	.625	2.125	1.375	1.125	.437	.562
MSM-8-6		1/2-20	Y	.376	-	-	-	-	2.438	1.500	1.312	.500	.625
MSM-8	MSM-8S	1/2-20	Y & C	.501	.250	0.875	1.125	.625	2.438	1.500	1.312	.500	.625
MSM-10-8		5/8-18	Y	.501	-	-	-	-	2.625	1.625	1.500	.562	.750
MSM-10	MSM-10S	5/8-18	Y	.626	.375	1.000	1.125	.750	2.625	1.625	1.500	.562	.750
MSM-12	MSM-12S	3/4-16	Y	.751	.375	1.187	1.812	1.00	2.875	1.750	1.750	.687	.875
MSM-12-1		3/4-16	C	.757	-	-	-	-	2.875	1.750	1.750	.687	.875

Bronze Bearing Race
Plated Zinc Yellow



For Left Hand Threads, add "L" as in MVFL-4

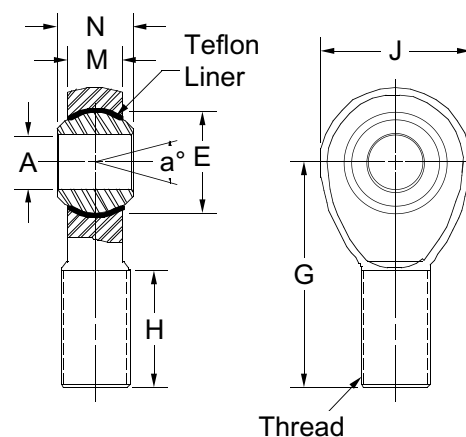


Part Number		Thread	A	B	C	D	E	F	G	H	J	M	N	O	P
No Stud	With Stud														
MVF-2	-	6-32	.125	-	1.05	-	-	-	0.812	.38	.47	.19	.250	.33	.250
MVF-3	MVF-3S	10-32	.190	.16	1.38	.437	.437	.312	1.062	.56	.63	.25	.312	.41	.312
MVF-4	MVF-4S	1/4-28	.251	.12	1.69	.469	.562	.375	1.312	.75	.75	.28	.375	.47	.375
MVF-5	MVF-5S	5/16-24	.313	.12	1.81	.531	.687	.437	1.375	.75	.88	.34	.437	.50	.437
MVF-6	MVF-6S	3/8-24	.376	.18	2.13	.644	.906	.500	1.625	.94	1.09	.41	.500	.69	.562
MVF-7	MVF-7S	7/16-20	.438	.31	2.38	.844	1.062	.625	1.812	1.06	1.13	.48	.562	.75	.625
MVF-8	MVF-8S	1/2-20	.501	.25	2.78	.875	1.125	.625	2.125	1.19	1.31	.50	.625	.88	.750
MVF-10	MVF-10S	5/8-18	.626	.37	3.25	1.00	1.125	.750	2.500	1.50	1.50	.56	.750	1.00	.875
MVF-12	MVF-12S	3/4-16	.751	.37	3.75	1.19	1.812	1.00	2.875	1.56	1.75	.69	.875	1.13	1.00

4130 Chrome Moly and Alloy Steel
Chrome Plated
Teflon Rac



For Left Hand Thd, add "L" as in MXML-4

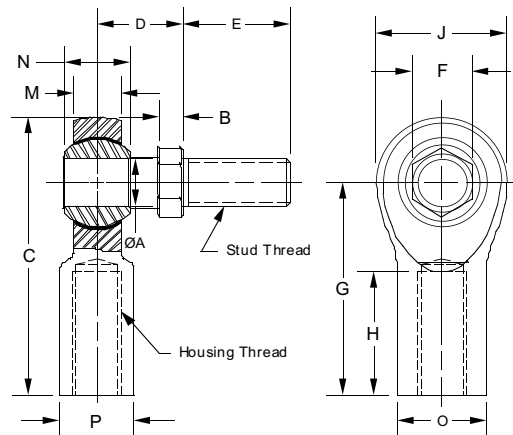


Part#	Material	Thread	A	a°	E	G	H	J	M	N
MXM-6	Chome Moly	3/8-24	0.376	24°	0.625	1.938	1.250	1.000	0.344	0.437
MXM-8	Chome Moly	1/2-20	0.501	17°	0.937	2.438	1.500	1.312	0.453	0.625
MXM-10-8	Chome Moly	5/8-18	0.501	22°	1.125	2.625	1.625	1.500	0.484	0.750
MXM-10	Chome Moly	5/8-18	0.626	22°	1.125	2.625	1.625	1.500	0.484	0.750
MXM-12-10	Chome Moly	3/4-16	0.626	18°	1.312	2.875	1.750	1.755	0.593	0.875
MXM-12	Chome Moly	3/4-16	0.751	18°	1.312	2.875	1.750	1.755	0.593	0.875
MXM-12-1	Chome Moly	3/4-16	0.757	18°	1.312	2.875	1.750	1.755	0.593	0.875
MXM-14-12	Chome Moly	7/8-14	0.751	12°	1.312	3.375	1.875	2.000	0.687	0.875
MXM-16-12	Alloy	1-12	0.751	17°	1.875	4.125	2.125	2.750	1.000	1.375
MXM-16	Alloy	1-12	1.001	17°	1.875	4.125	2.125	2.750	1.000	1.375
MXM-20-16	Alloy	1.25-12	1.001	17°	1.875	4.125	2.125	2.750	1.000	1.375
MXM-20	Alloy	1.25-12	1.251	17°	1.875	4.125	2.125	2.750	1.000	1.375
MXM-24-20	Alloy	1.50-12	1.251	7°	1.795	4.125	2.250	2.750	0.937	1.093
MXM-24	Alloy	1.50-12	1.501	7°	1.795	4.125	2.250	2.750	0.937	1.093
MXM-28-24	Alloy	1.75-12	1.501	6.5°	2.155	5.375	3.000	3.500	1.125	1.312
MXM-28	Alloy	1.75-12	1.751	6.5°	2.155	5.375	3.000	3.500	1.125	1.312

Teflon Bearing Rac
303 Series Stainless Steel Housing
440 Series Stainless Steel Ball



For Left Hand Threads, add "L" as in STF_L-4



Part Number		Thread	A	B	C	D	E	F	G	H	J	M	N	O	P
No Stud	With Stud														
STF-3	STF-3S	10-32	.190	.12	1.38	.437	.437	.312	1.062	.56	.63	.25	.312	.41	.312
STF-4-3	-	10-32	.251	.12	1.69	.469	.562	.375	1.312	.75	.75	.28	.375	.47	.375
STF-3-4	-	1/4-28	.190	.12	1.69	.469	.562	.375	1.312	.75	.75	.28	.375	.47	.375
STF-4	STF-4S	1/4-28	.251	.12	1.69	.469	.562	.375	1.312	.75	.75	.28	.375	.47	.375
STF-4-A	-	1/4-28	.251	-	1.32	-	-	-	0.947	.50	.75	.28	.375	.47	.375
STF-4-5	-	1/4-28	.313	.12	1.81	.531	.687	.437	1.375	.75	.88	.34	.437	.50	.437
STF-5	STF-5S	5/16-24	.313	.12	1.81	.531	.687	.437	1.375	.75	.88	.34	.437	.50	.437
STF-6-5	-	5/16-24	.376	.18	2.13	.644	.906	.500	1.625	.94	1.09	.41	.500	.69	.562
STF-6	STF-6S	3/8-24	.376	.18	2.13	.644	.906	.500	1.625	.94	1.09	.41	.500	.69	.562
STF-7	STF-7S	7/16-20	.438	.31	2.38	.844	1.062	.625	1.812	1.06	1.13	.48	.562	.75	.625
STF-8	STF-8S	1/2-20	.501	.25	2.78	.875	1.125	.625	2.125	1.19	1.31	.50	.625	.88	.750
STF-10	STF-10S	5/8-18	.626	.37	3.25	1.00	1.125	.750	2.500	1.50	1.50	.56	.750	1.00	.875
STF-12	STF-12S	3/4-16	.751	.37	3.75	1.19	1.812	1.00	2.875	1.56	1.75	.69	.875	1.13	1.00